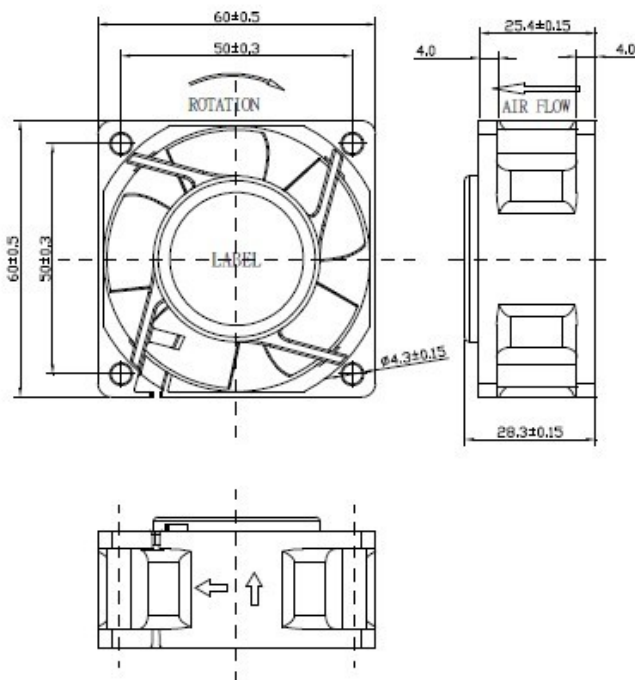
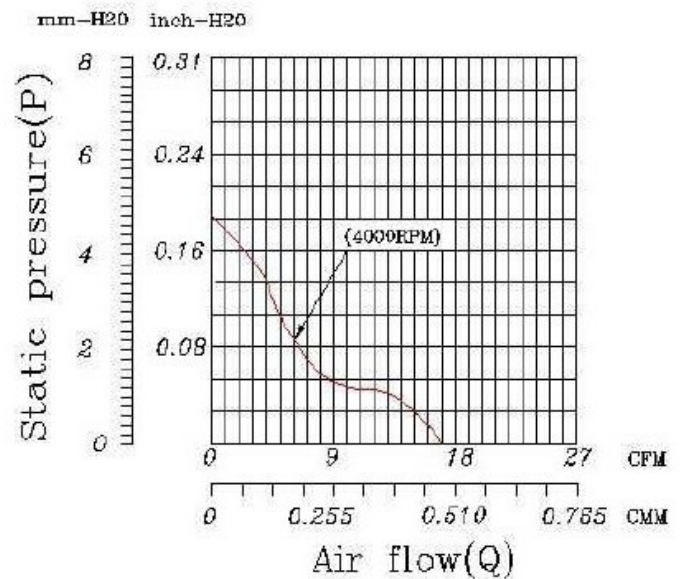


AC TO DC FAN

Dimensions

Performance Curves


AC TO DC FAN Specifications

TYPE	Rated Voltage (VDC)	Rated Current (Amp)	Power (Watts)	Nominal Speed (RPM)	Airflow (CFM)	Static Pressure (inch-H ₂ O)	Noise Level (dBA)
60x60x28	100~240	0.1	22	4000	16.88	0.19	32.5
80x80x25	220	0.09	19.8	3700	44.00	0.18	41.90
92x92x25	220	0.10	22	3100	65.09	0.18	42.40
92x92x38	220	0.12	26.4	2500	61.58	0.17	33.15
120x120x25	220	0.13	28.6	2400	118.67	0.19	44.70

Function options: Frequency Generator & Auto Restart

- * All readings are typical value at rated voltage.
- * Please refer to **PART NUMBER SYSTEM** for bearing type and part number "XX" designation.
- * Specifications are subject to change without prior notice.
- * Please specify revision number when ordering.