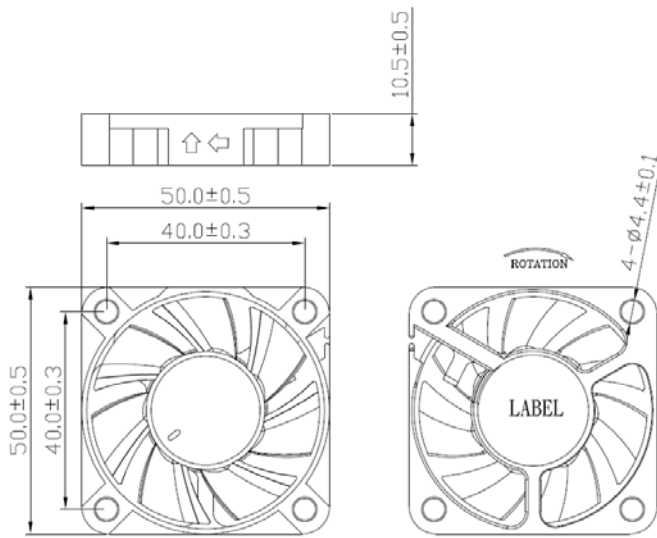


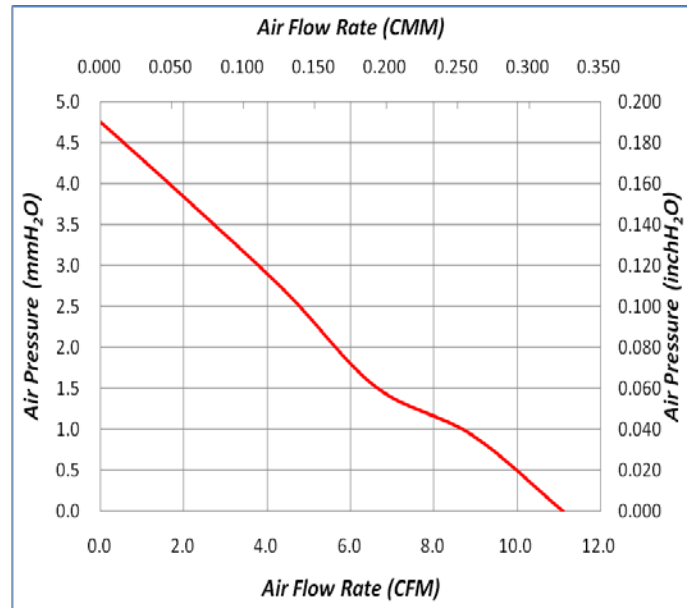
**50 x 50 x 10 mm Series**

**Rev II**

**Dimensions**



**Performance Curves**



Air exhaust over struts. Rotational direction CCW looking at rotor

Brushless DC Motor	Bearing Type
Housing: PBT 94V0	● CeraDyna A
Impeller: PBT 94V0	○ 2-Ball
Weight: 16 g	○ 1-Ball-1-Sleeve
Impedance protected	● Sleeve
Lead wire UL 1007 AWG 28	* Please contact us for CeraDyna-C availability.

Function options	
● Frequency Generator	● Auto Restart
○ Temperature Control	○ Rotation Detection

\* Please contact us for PWM function availability.

\* **Safety Approval: CE, UL, TUV**

\* All fans are with electronic protection against reverse polarity. The fan only operates when the polarity is correct.

**Specifications**

Model	Rated Voltage (VDC)	Rated Current (Amp)	Input Power (Watts)	Nominal Speed (RPM)	Airflow (CFM)	Static Pressure (inch-H <sub>2</sub> O)	Noise Level (dBA)
FD1250-A1184A	12	0.15	1.8	6100	11.12	0.18	37.6

\* All readings are typical value at rated voltage.

\* Please refer to **PART NUMBER SYSTEM** for bearing type and part number "XX" designation.

\* Specifications are subject to change without prior notice.

\* Please specify revision number when ordering.