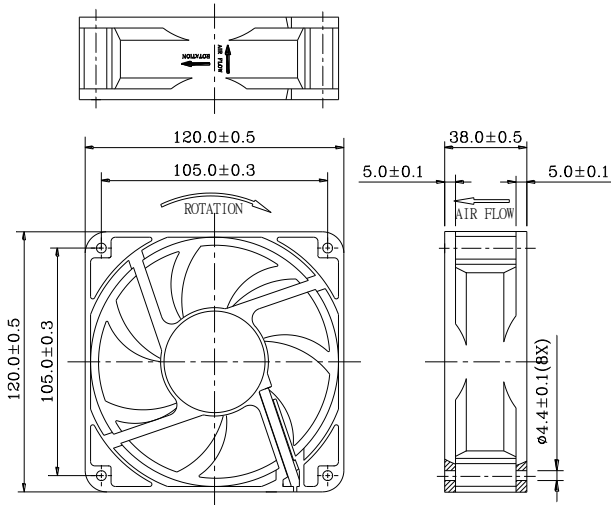
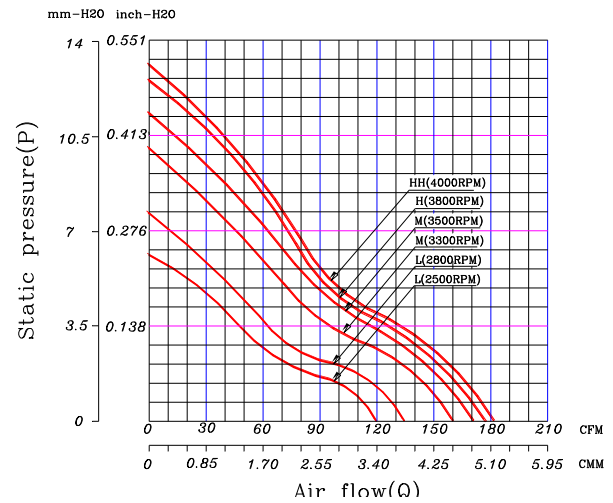


120 x 120 x 38 mm Series

Dimensions



Performance Curves



Air exhaust over struts. Rotational direction CCW looking at rotor

Brushless DC Motor	Bearing Type
Housing: PBT 94V0	<input type="radio"/> CeraDyna A
Impeller: PBT 94V0	<input checked="" type="radio"/> 2-Ball
Weight: 270 g	<input type="radio"/> 1-Ball-1-Sleeve
Impedance protected	<input checked="" type="radio"/> Sleeve
Lead wire UL 1007 AWG 24	* Please contact us for CeraDyna-C availability.

Function options	
<input checked="" type="radio"/> Frequency Generator	<input checked="" type="radio"/> Auto Restart
<input checked="" type="radio"/> Temperature Control	<input checked="" type="radio"/> Rotation Detection

* Please contact us for PWM function availability.

* **Safety Approval: CE, UL, TUV**

* All fans are with electronic protection against reverse polarity. The fan only operates when the polarity is correct.

Specifications

Model	TYPE	Rated Voltage (VDC)	Rated Current (Amp)	Input Power (Watts)	Nominal Speed (RPM)	Airflow (CFM)	Static Pressure (inch-H2O)	Noise Level (dBA)
FD1212-DP2XXG	III	12	1.5	18.0	4000	181.89	0.52	62.40
FD1212-D02XXG	III	12	1.5	18.0	4000	181.89	0.52	62.40
FD1212-D12XXG	III	12	1.2	14.4	3800	177.51	0.49	61.70
FD1212-D22XXG	III	12	0.90	10.8	3500	170.78	0.45	60.90
FD1212-D32XXG	III	12	0.41	4.90	2500	119.61	0.24	51.50
FD2412-DP2XXG	III	24	0.87	20.8	4000	181.89	0.52	59.40
FD2412-D02XXG	III	24	0.87	20.8	4000	181.89	0.52	59.40
FD2412-D12XXG	III	24	0.64	15.4	3800	177.51	0.49	57.60
FD2412-D22XXG	III	24	0.50	12.0	3300	161.02	0.40	54.90
FD2412-D32XXG	III	24	0.30	7.20	2800	133.96	0.30	47.70
FD4812-DP1XXG	II	48	0.40	19.2	4000	181.89	0.52	59.40
FD4812-D01XXG	II	48	0.40	19.2	4000	181.89	0.52	59.40
FD4812-D11XXG	II	48	0.31	14.8	3800	177.51	0.49	57.60
FD4812-D21XXG	II	48	0.22	10.5	3300	161.02	0.40	54.90
FD4812-D31XXG	II	48	0.13	6.24	2500	119.61	0.24	51.50