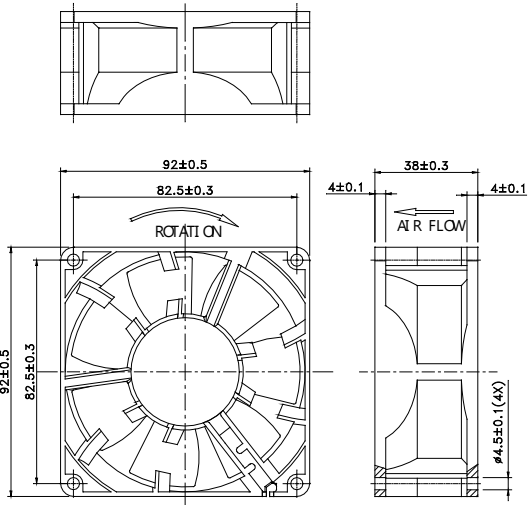


92 x 92 x 38 mm FD Series

Dimensions

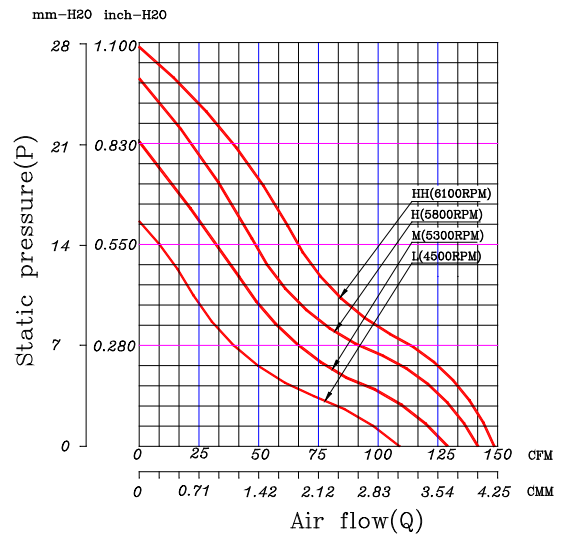
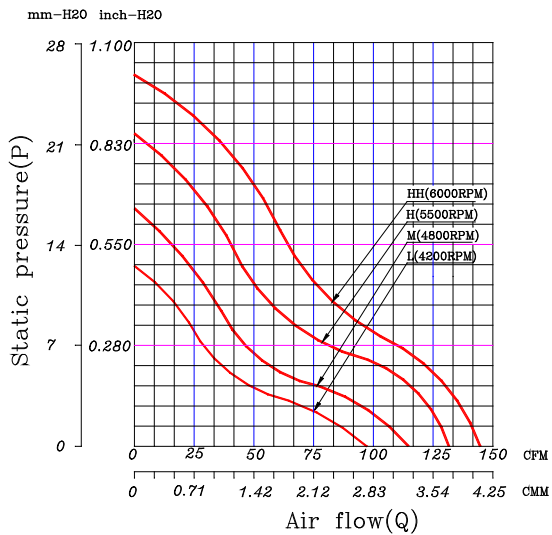


12 VDC

24 VDC

Performance Curves

Performance Curves



Specifications

| Model | Rated Voltage (VDC) | Rated Current (Amp) | Input Power (Watts) | Nominal Speed (RPM) | Airflow (CFM) | Static Pressure (inch-H ₂ O) | Noise Level (dBA) |
|---------------|---------------------|---------------------|---------------------|---------------------|---------------|---|-------------------|
| FD1290-AP1XXG | 12 | 2.45 | 29.40 | 6000 | 145.39 | 1.02 | 60.60 |
| FD1290-A01XXG | 12 | 2.45 | 29.40 | 6000 | 145.39 | 1.02 | 60.60 |
| FD1290-A11XXG | 12 | 1.75 | 21.00 | 5500 | 131.58 | 0.85 | 57.60 |
| FD1290-A21XXG | 12 | 1.25 | 15.00 | 4800 | 114.74 | 0.65 | 54.90 |
| FD1290-A31XXG | 12 | 0.75 | 9.00 | 4200 | 97.14 | 0.49 | 48.30 |
| FD2490-AP1XXG | 24 | 0.96 | 23.04 | 6100 | 148.90 | 1.09 | 60.90 |
| FD2490-A01XXG | 24 | 0.95 | 22.80 | 6100 | 148.90 | 1.09 | 60.90 |
| FD2490-A11XXG | 24 | 0.86 | 20.64 | 5800 | 141.75 | 1.00 | 59.80 |
| FD2490-A21XXG | 24 | 0.68 | 16.32 | 5300 | 128.33 | 0.83 | 56.80 |
| FD2490-A31XXG | 24 | 0.42 | 10.08 | 4500 | 109.16 | 0.61 | 49.80 |

