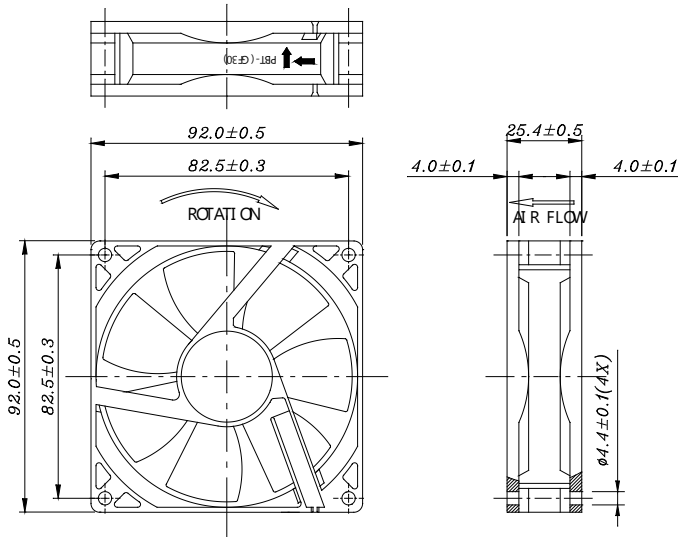
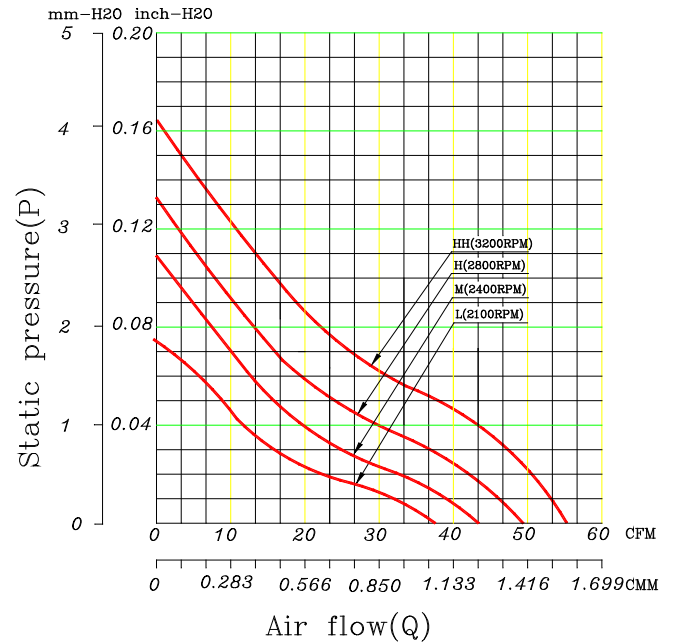


92 x 92 x 25 mm Series

Dimensions



Performance Curves



Air exhaust over struts. Rotational direction CCW looking at rotor

| Brushless DC Motor | Bearing Type |
|--------------------------|--|
| Housing: PBT 94V0 | ● CeraDyna A |
| Impeller: PBT 94V0 | ● 2-Ball |
| Weight: 90 g | ● 1-Ball-1-Sleeve |
| Impedance protected | ● Sleeve |
| Lead wire UL 1007 AWG 24 | * Please contact us for CeraDyna-C availability. |

| Function options | |
|-----------------------|----------------------|
| ● Frequency Generator | ● Auto Restart |
| ● Temperature Control | ● Rotation Detection |

* Please contact us for PWM function availability.

* **Safety Approval: CE, UL, TUV**

* All fans are with electronic protection against reverse polarity. The fan only operates when the polarity is correct.

Specifications

| Model | Rated Voltage (VDC) | Rated Current (Amp) | Input Power (Watts) | Nominal Speed (RPM) | Airflow (CFM) | Static Pressure (inch-H ₂ O) | Noise Level (dBA) |
|---------------|---------------------|---------------------|---------------------|---------------------|---------------|---|-------------------|
| FD1290-A00XXE | 12 | 0.29 | 3.48 | 3200 | 56.61 | 0.15 | 37.00 |
| FD1290-A10XXE | 12 | 0.25 | 3.00 | 2800 | 49.97 | 0.13 | 34.50 |
| FD1290-A20XXE | 12 | 0.18 | 2.16 | 2400 | 43.33 | 0.11 | 31.00 |
| FD1290-A30XXE | 12 | 0.13 | 1.56 | 2100 | 37.47 | 0.07 | 28.00 |
| FD2490-A00XXE | 24 | 0.32 | 7.68 | 3200 | 56.61 | 0.15 | 37.00 |
| FD2490-A10XXE | 24 | 0.22 | 5.28 | 2800 | 49.97 | 0.13 | 34.50 |
| FD2490-A20XXE | 24 | 0.14 | 3.36 | 2400 | 43.33 | 0.11 | 31.00 |
| FD2490-A30XXE | 24 | 0.10 | 2.40 | 2100 | 37.47 | 0.07 | 28.00 |

* All readings are typical value at rated voltage.

* Please refer to **PART NUMBER SYSTEM** for bearing type and part number "XX" designation.

* Specifications are subject to change without prior notice.

* Please specify revision number when ordering.