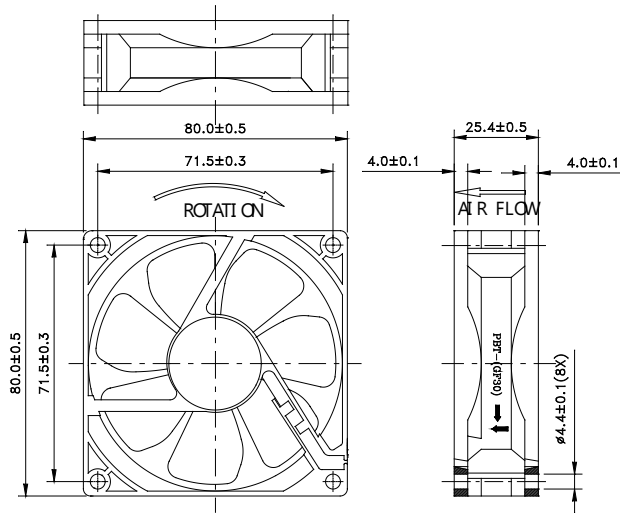


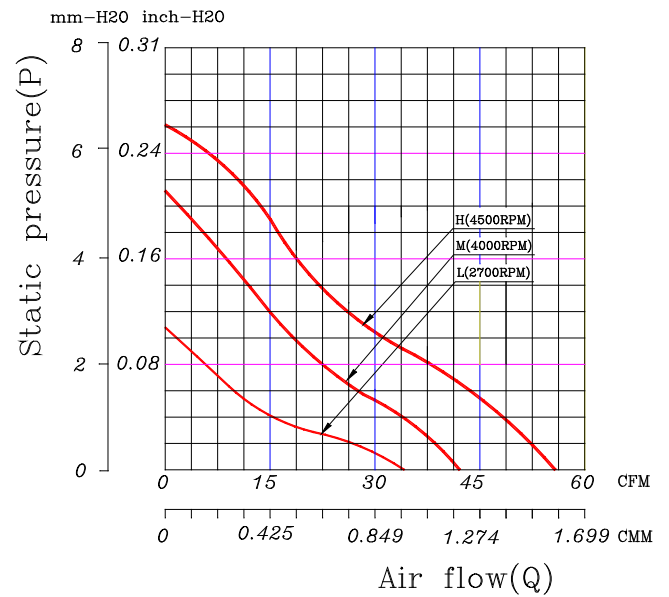
**80 x 80 x 25 mm Series**

**Rev IV**

**Dimensions**



**Performance Curves**



Air exhaust over struts. Rotational direction CCW looking at rotor

Brushless DC Motor	Bearing Type
Housing: PBT 94V0	● CeraDyna A
Impeller: PBT 94V0	● 2-Ball
Weight: 70 g	● 1-Ball-1-Sleeve
Impedance protected	● Sleeve
Lead wire UL 1007 AWG 24	* Please contact us for CeraDyna-C availability.

Function options	
● Frequency Generator	● Auto Restart
● Temperature Control	● Rotation Detection

\* Please contact us for PWM function availability.

\* **Safety Approval: CE, UL, TUV**

\* All fans are with electronic protection against reverse polarity. The fan only operates when the polarity is correct.

**Specifications**

Model	Rated Voltage (VDC)	Rated Current (Amp)	Input Power (Watts)	Nominal Speed (RPM)	Airflow (CFM)	Static Pressure (inch-H <sub>2</sub> O)	Noise Level (dBA)
FD1280-A13XxE	12	0.36	2.88	4500	55.77	0.26	46.50
FD1280-A23XXE	12	0.23	2.04	4000	42.11	0.21	44.00
FD1280-A33XXE	12	0.09	1.56	2700	34.18	0.10	28.20

\* All readings are typical value at rated voltage.

\* Please refer to **PART NUMBER SYSTEM** for bearing type and part number "XX" designation.

\* Specifications are subject to change without prior notice.

\* Please specify revision number when ordering.