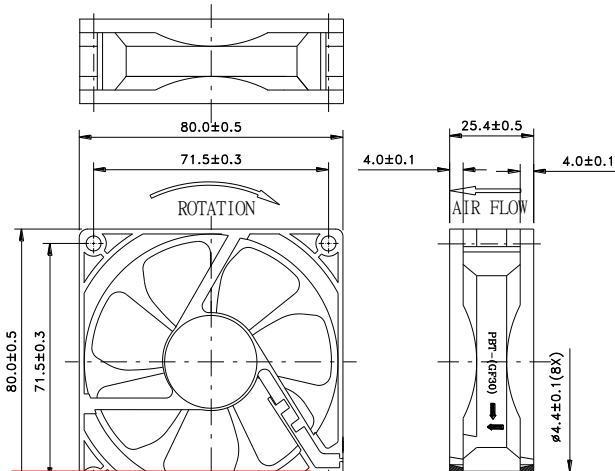


80 x 80 x 25 mm Series

Dimensions

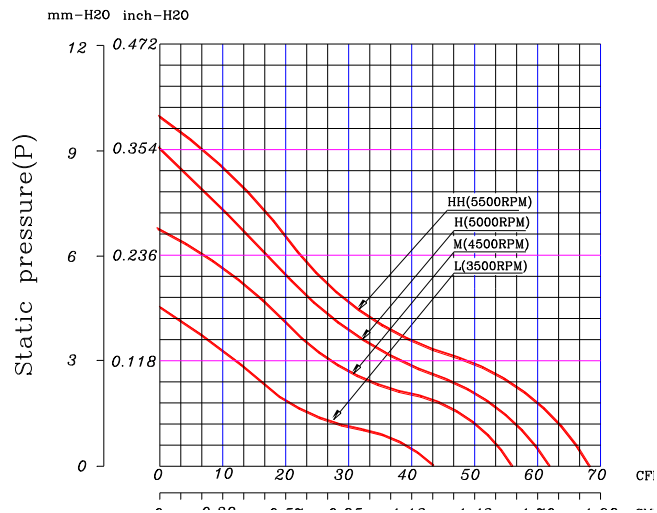
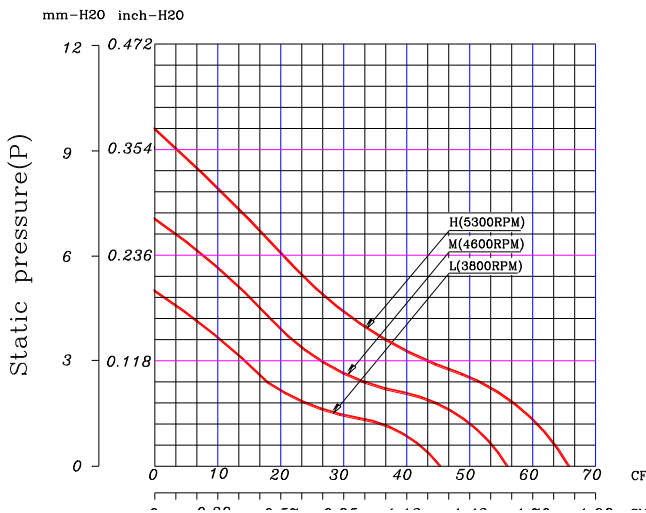


Rev III-12VDC

Rev III-24VDC

Performance Curves

Performance Curves



Specifications

Model	Rated Voltage (VDC)	Rated Current (Amp)	Input Power (Watts)	Nominal Speed (RPM)	Airflow (CFM)	Static Pressure (inch-H ₂ O)	Noise Level (dBA)
FD1280-AP2XXE	12	0.50	6.00	5300	65.69	0.38	51.50
FD1280-A12XXE	12	0.50	6.00	5300	65.69	0.38	51.50
FD1280-A22XXE	12	0.36	4.32	4600	55.80	0.28	47.50
FD1280-A32XXE	12	0.23	2.76	3800	45.20	0.20	42.50
FD2480-A02XXE	24	0.23	5.52	5500	68.16	0.39	53.30
FD2480-A12XXE	24	0.18	4.32	5000	61.97	0.36	49.30
FD2480-A22XXE	24	0.13	3.12	4500	55.77	0.27	46.20
FD2480-A32XXE	24	0.08	1.92	3500	43.38	0.18	40.10