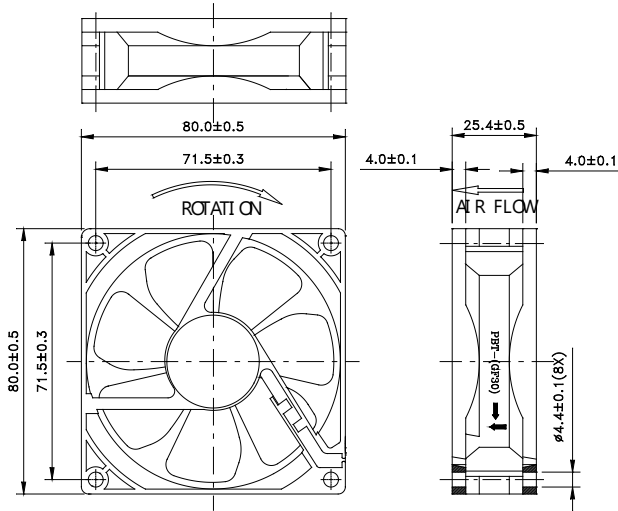


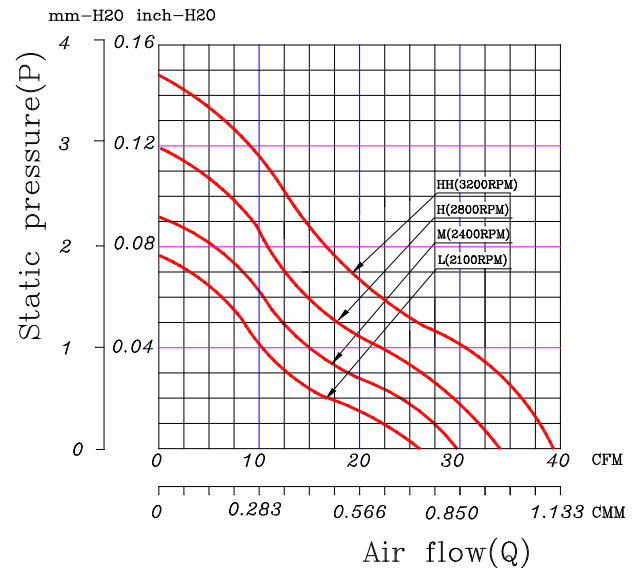
## 80 x 80 x 25 mm Series

## Rev II

### Dimensions



### Performance Curves



Air exhaust over struts. Rotational direction CCW looking at rotor

Brushless DC Motor	Bearing Type
Housing: PBT 94V0	● CeraDyna A
Impeller: PBT 94V0	● 2-Ball
Weight: 70 g	● 1-Ball-1-Sleeve
Impedance protected	● Sleeve
Lead wire UL 1007 AWG 24	* Please contact us for CeraDyna-C availability.

Function options	
● Frequency Generator	● Auto Restart
● Temperature Control	● Rotation Detection

\* Please contact us for PWM function availability.

\* **Safety Approval: CE, UL, TUV**

\* All fans are with electronic protection against reverse polarity. The fan only operates when the polarity is correct.

### Specifications

Model	Rated Voltage (VDC)	Rated Current (Amp)	Input Power (Watts)	Nominal Speed (RPM)	Airflow (CFM)	Static Pressure (inch-H <sub>2</sub> O)	Noise Level (dBA)
FD1280-A01XXE	12	0.24	2.88	3200	40.61	0.14	35.50
FD1280-A11XXE	12	0.17	2.04	2800	35.45	0.11	31.50
FD1280-A21XXE	12	0.13	1.56	2400	30.19	0.09	27.50
FD1280-A31XXE	12	0.09	1.08	2100	26.20	0.06	22.50
FD2480-A01XXE	24	0.16	3.84	3200	40.61	0.14	35.50
FD2480-A11XXE	24	0.13	3.12	2800	35.45	0.11	31.50
FD2480-A21XXE	24	0.11	2.64	2400	30.19	0.09	27.50
FD2480-A31XXE	24	0.09	2.16	2100	26.20	0.06	22.50

\* All readings are typical value at rated voltage.

\* Please refer to **PART NUMBER SYSTEM** for bearing type and part number "XX" designation.

\* Specifications are subject to change without prior notice.

\* Please specify revision number when ordering.