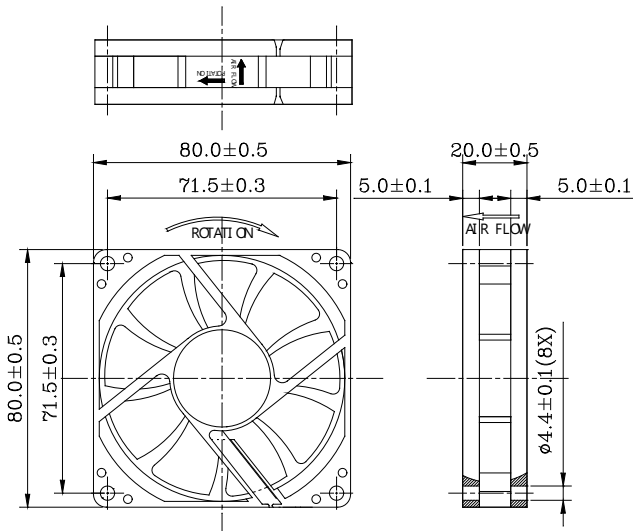
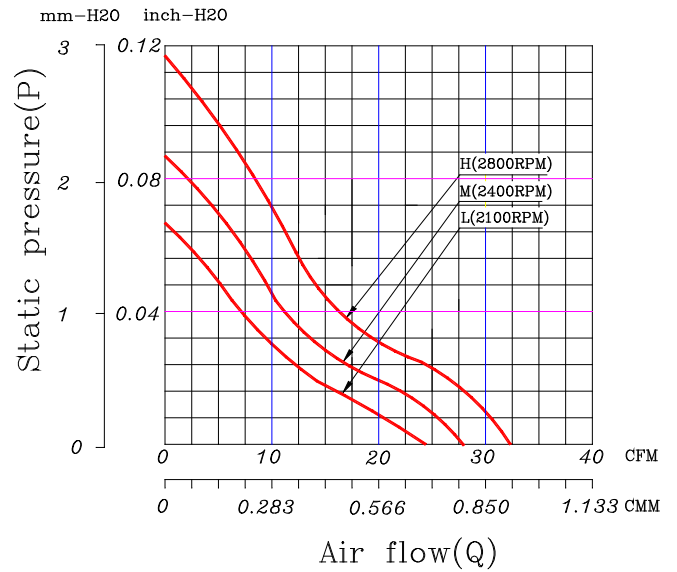


**80 x 80 x 20 mm Series**

**Dimensions**



**Performance Curves**



Air exhaust over struts. Rotational direction CCW looking at rotor

Brushless DC Motor	Bearing Type
Housing: PBT 94V0	● CeraDyna A
Impeller: PBT 94V0	● 2-Ball
Weight: 70 g	● 1-Ball-1-Sleeve
Impedance protected	● Sleeve
Lead wire UL 1007 AWG 24	* Please contact us for CeraDyna-C availability.

Function options	
● Frequency Generator	● Auto Restart
● Temperature Control	● Rotation Detection

\* Please contact us for PWM function availability.

\* **Safety Approval: CE, UL, TUV**

\* All fans are with electronic protection against reverse polarity. The fan only operates when the polarity is correct.

**Specifications**

Model	Rated Voltage (VDC)	Rated Current (Amp)	Input Power (Watts)	Nominal Speed (RPM)	Airflow (CFM)	Static Pressure (inch-H <sub>2</sub> O)	Noise Level (dBA)
FD1280-A10XXD	12	0.19	2.28	2800	32.21	0.12	29.00
FD1280-A20XXD	12	0.13	1.56	2400	27.62	0.09	26.50
FD1280-A30XXD	12	0.12	1.44	2100	24.16	0.07	23.00

\* All readings are typical value at rated voltage.

\* Please refer to **PART NUMBER SYSTEM** for bearing type and part number "XX" designation.

\* Specifications are subject to change without prior notice.

\* Please specify revision number when ordering.