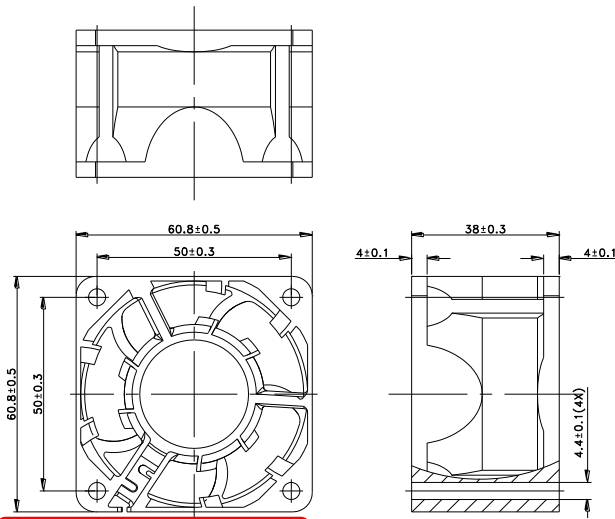


60 x 60 x 38 mm Series

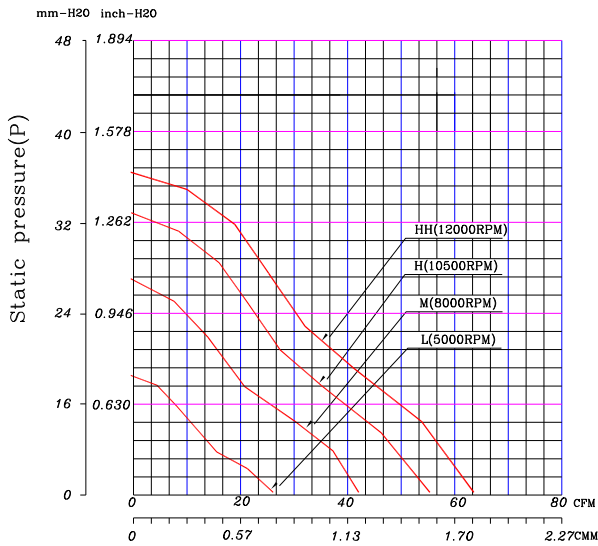
Dimensions



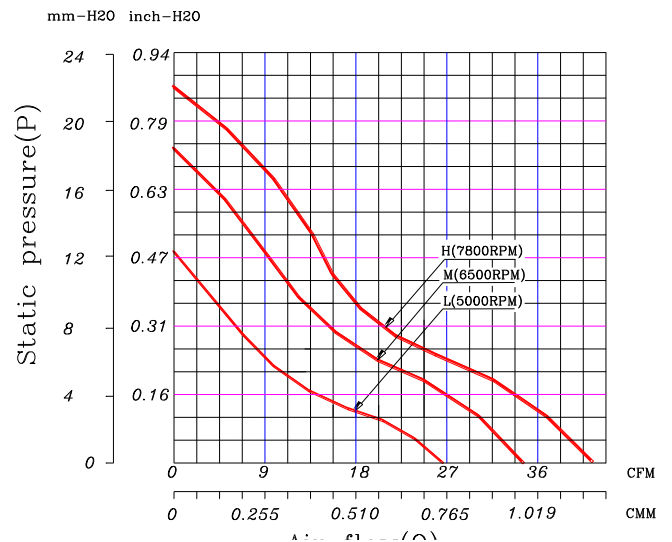
Rev I

Rev III

Performance Curves



Performance Curves



Specifications

Model	TYPE	Rated Voltage (VDC)	Rated Current (Amp)	Input Power (Watts)	Nominal Speed (RPM)	Airflow (CFM)	Static Pressure (inch-H ₂ O)	Noise Level (dBA)
FD4860-A00XXG	I	48	0.46	22.08	12000	63.84	1.33	65.50
FD4860-A10XXG	I	48	0.35	16.80	10500	55.86	1.16	60.20
FD4860-A20XXG	I	48	0.23	11.04	8000	42.56	0.89	56.50
FD4860-A30XXG	I	48	0.13	6.24	5000	26.60	0.49	50.40
FD1260-AP2XXG	III	12	0.64	7.68	7800	41.49	0.86	48.70
FD1260-A12XXG	III	12	0.64	7.68	7800	41.49	0.86	48.70
FD1260-A22XXG	III	12	0.45	5.40	6500	34.58	0.75	41.50
FD1260-A32XXG	III	12	0.26	3.12	5000	26.60	0.49	38.70