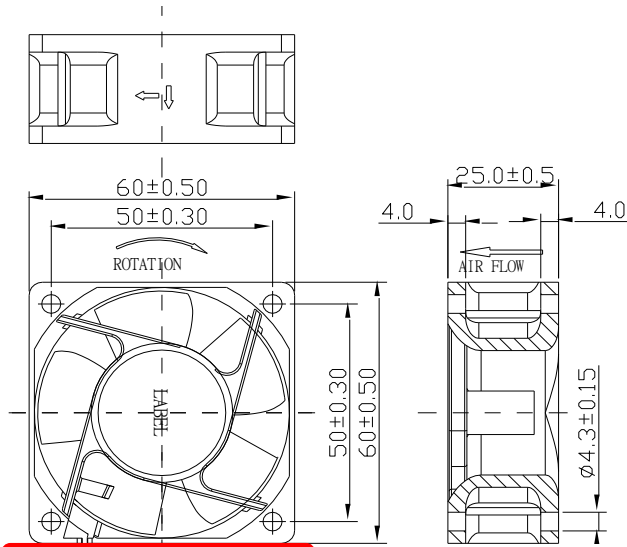
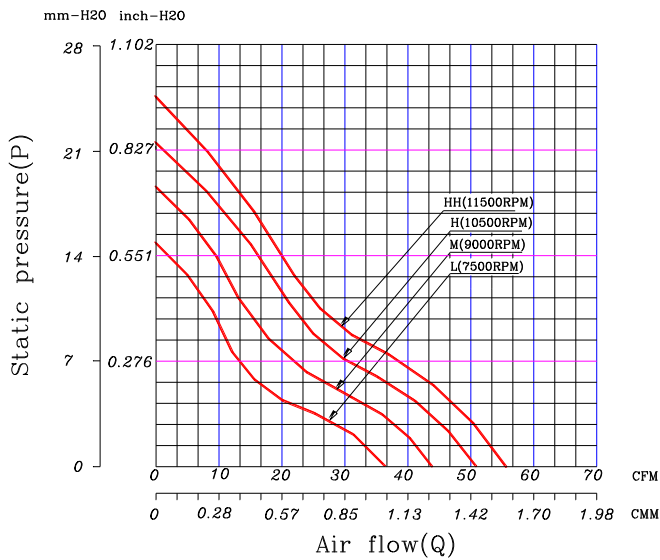


60 x 60 x 25 mm FD Series

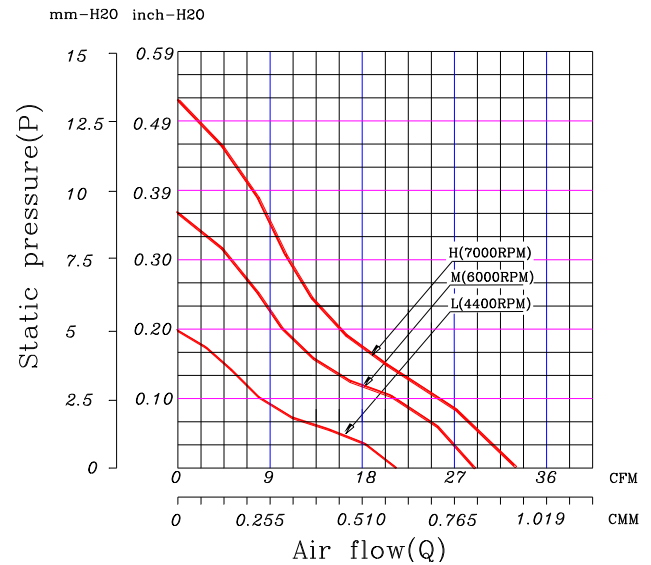
Dimensions


Rev V
Rev VII

Performance Curves



Performance Curves



Specifications

Model	TYPE	Rated Voltage (VDC)	Rated Current (Amp)	Input Power (Watts)	Nominal Speed (RPM)	Airflow (CFM)	Static Pressure (inch-H ₂ O)	Noise Level (dBA)
FD2460-A04XXE	V	24	0.46	11.04	11500	55.73	0.96	65.50
FD2460-A14XXE	V	24	0.37	8.88	10500	50.88	0.85	60.20
FD2460-A24XXE	V	24	0.28	6.72	9000	43.61	0.73	56.50
FD2460-A34XXE	V	24	0.17	4.08	7500	36.35	0.58	50.40
FD1260-A16XXE	VII	12	0.33	3.96	7000	32.71	0.52	48.00
FD1260-A26XXE	VII	12	0.22	2.64	6000	29.08	0.36	45.50
FD1260-A36XXE	VII	12	0.11	1.32	4400	21.32	0.18	38.80

