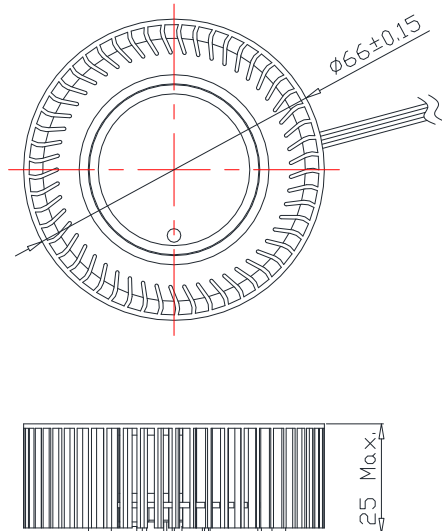
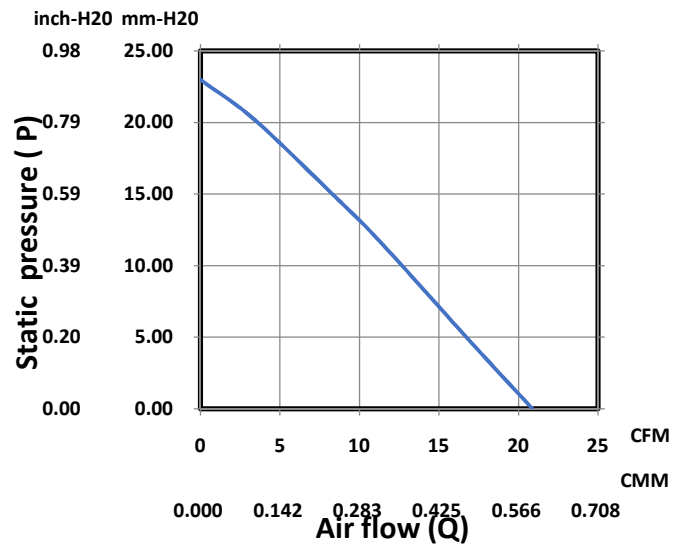


**60 x 60 x 25 mm Series**
**Rev. I**
**Dimensions**

**Performance Curve**


General Specification		Bearing Type	Function Options
Frame	PBT 94V-0	<input type="radio"/> CeraDyna A	<input checked="" type="radio"/> Auto Restart
Impeller	PBT 94V-0	<input type="radio"/> CeraDyna C	<input checked="" type="radio"/> Frequency Generator
Lead Wire	UL1061 AWG28	<input checked="" type="radio"/> Ball Bearing	<input checked="" type="radio"/> Rotation Detect
Storage Temperature	-20°C ~ 80°C	<input type="radio"/> Sleeve Bearing	<input checked="" type="radio"/> Temperature Control
Operating Temperature	-10°C ~ 75°C	<input type="radio"/> Fluid Dynamic Bearing	<input checked="" type="radio"/> PWM Control
Mass	73.5 gram		

\*Air exhaust over struts. Rotational direction CW looking at rotor

\*The motor is with electronic protection against reverse polarity. The motor only operates when the polarity is correct.

**Specifications**

Model No.	Rated Voltage (V)	Rated Current (A)	Input Power (W)	Nominal Speed (RPM)	Airflow (CFM)	Static Pressure (Inch-H2O)	SPL (dB A)
FS1266-DP0XXE	12	1.1	13.2	5000	20.88	0.90	45.8
FS2466-DP0XXE	24	0.8	19.2	5000	20.88	0.90	45.8

\*All readings are typical value at rated voltage.

\*Please refer to **PART NUMBER SYSTEM** for bearing type and part number "XX" designation.

\*Please specify revision number when ordering.