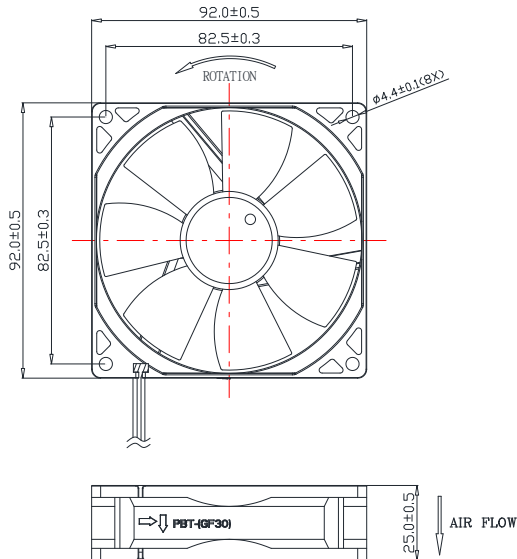
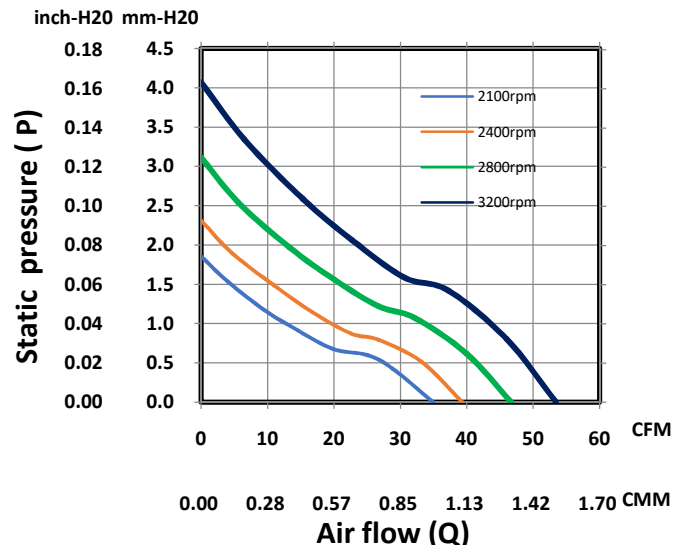


92 x 92 x 25 mm Series
Rev. I
Dimensions

Performance Curve


General Specification		Bearing Type	Function Options
Frame	PBT 94V-0	● CeraDyna A	● Auto Restart
Impeller	PBT 94V-0	○ CeraDyna C	● Frequency Generator
Lead Wire	UL1007 24AWG	● Ball Bearing	● Rotation Detect
Storage Temperature	-20°C ~ 80°C	● Sleeve Bearing	○ Temperature Control
Operating Temperature	-10°C ~ 75°C	○ Fluid Dynamic Bearing	● PWM Control
Mass	90 gram		

*Air exhaust over struts. Rotational direction CCW looking at rotor

*The motor is with electronic protection against reverse polarity. The motor only operates when the polarity is correct.

Specifications

Model No.	Rated Voltage (V)	Rated Current (A)	Input Power (W)	Nominal Speed (RPM)	Airflow (CFM)	Static Pressure (Inch-H2O)	SPL (dB A)
FD1290-X00XXE	12	0.29	3.48	3200	53.5	0.16	38.5
FD1290-X10XXE	12	0.25	3.00	2800	46.7	0.12	34.5
FD1290-X20XXE	12	0.18	2.16	2400	39.4	0.09	31.5
FD1290-X30XXE	12	0.13	1.56	2100	34.9	0.07	27.5
FD2490-X00XXE	24	0.32	7.68	3200	53.5	0.16	38.5
FD2490-X10XXE	24	0.22	5.28	2800	46.7	0.12	34.5
FD2490-X20XXE	24	0.14	3.36	2400	39.4	0.09	31.5
FD2490-X30XXE	24	0.10	2.40	2100	34.9	0.07	27.5

*All readings are typical value at rated voltage.

*Please refer to **PART NUMBER SYSTEM** for bearing type and part number "XX" designation.

*Please specify revision number when ordering.