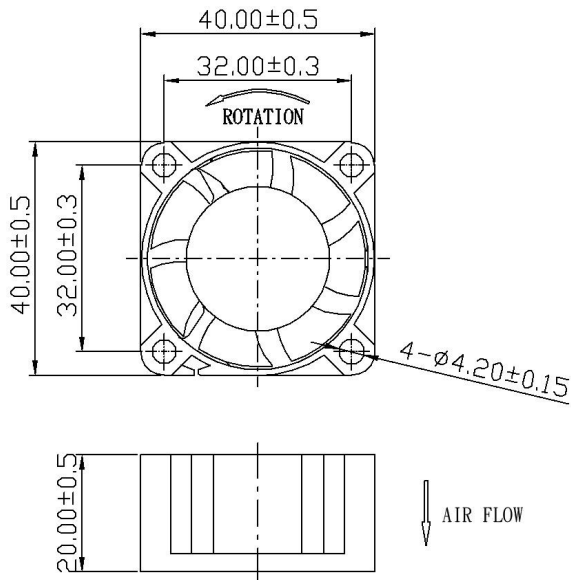
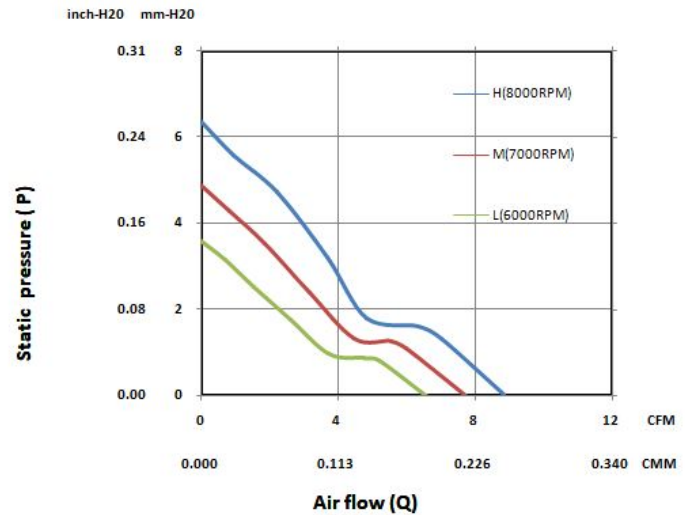


40 x 40 x 20 mm Series
Rev. I
Dimensions

Performance Curve

General Specification

Frame	PBT 94V-0
Impeller	PBT 94V-0
Lead Wire	UL1095 28AWG
Storage Temperature	-20°C ~ 80°C
Operating Temperature	-10°C ~ 75°C
Mass	26 gram

Bearing Type

- CeraDyna A
- CeraDyna C
- Ball Bearing
- Sleeve Bearing
- Fluid Dynamic Bearing

Function Options

- Auto Restart
- Frequency Generator
- Rotation Detect
- Temperature Control
- PWM Control

*Air exhaust over struts. Rotational direction CCW looking at rotor

*The motor is with electronic protection against reverse polarity. The motor only operates when the polarity is correct.

Specifications

Model No.	Rated Voltage (V)	Rated Current (A)	Input Power (W)	Nominal Speed (RPM)	Airflow (CFM)	Static Pressure (Inch-H2O)	SPL (dB A)
FD1240-X10XXD	12	0.18	2.16	8000	8.81	0.25	36.3
FD1240-X20XXD	12	0.15	1.8	7000	7.72	0.19	32.3
FD1240-X30XXD	12	0.12	1.44	6000	6.63	0.14	28
FD2440-X10XXD	24	0.12	2.88	8000	8.81	0.25	36.3
FD2440-X20XXD	24	0.1	2.4	7000	7.72	0.19	32.3
FD2440-X30XXD	24	0.08	1.92	6000	6.63	0.14	28

*All readings are typical value at rated voltage.

*Please refer to **PART NUMBER SYSTEM** for bearing type and part number "XX" designation.

*Please specify revision number when ordering.