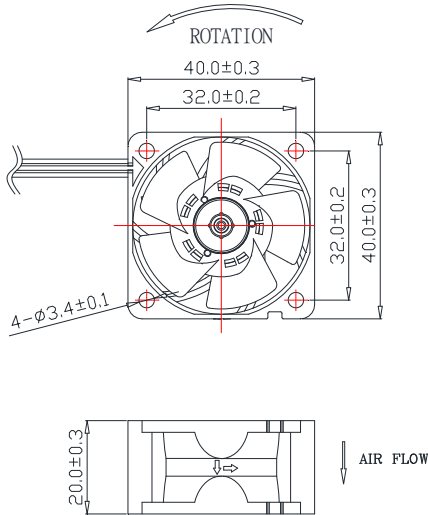


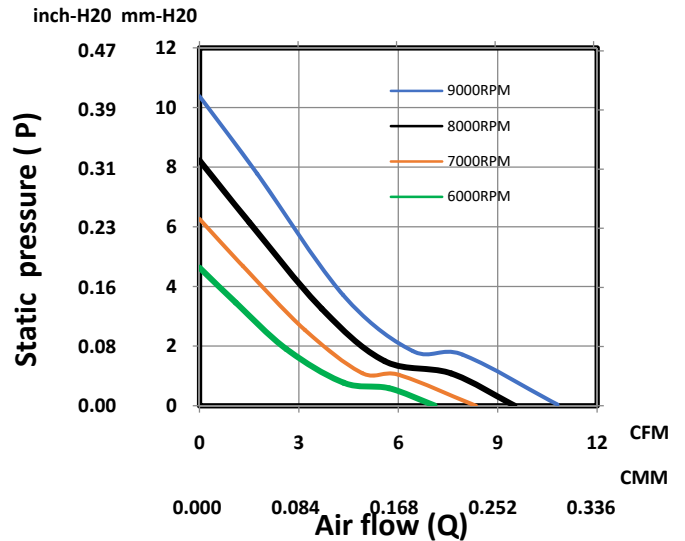
40 x 40 x 20 mm Series

Rev. II

Dimensions



Performance Curve



General Specification	
Frame	PBT 94V-0
Impeller	PBT 94V-0
Lead Wire	UL1007 26AWG
Storage Temperature	-20°C ~ 80°C
Operating Temperature	-10°C ~ 75°C
Mass	30.8 gram

Bearing Type	Function Options
<input checked="" type="radio"/> CeraDyna A	<input checked="" type="radio"/> Auto Restart
<input type="radio"/> CeraDyna C	<input checked="" type="radio"/> Frequency Generator
<input checked="" type="radio"/> Ball Bearing	<input checked="" type="radio"/> Rotation Detect
<input checked="" type="radio"/> Sleeve Bearing	<input type="radio"/> Temperature Control
<input type="radio"/> Fluid Dynamic Bearing	<input type="radio"/> PWM Control

*Air exhaust over struts. Rotational direction CCW looking at rotor

*The motor is with electronic protection against reverse polarity. The motor only operates when the polarity is correct.

Specifications

Model No.	Rated Voltage (V)	Rated Current (A)	Input Power (W)	Nominal Speed (RPM)	Airflow (CFM)	Static Pressure (Inch-H2O)	SPL (dB A)
FD1240-X01XXD	12	0.17	2.04	9000	10.80	0.41	39.3
FD1240-X11XXD	12	0.15	1.8	8000	9.50	0.32	35.8
FD1240-X21XXD	12	0.14	1.68	7000	8.35	0.25	33.1
FD1240-X31XXD	12	0.09	1.08	6000	7.09	0.18	29.7
FD2440-X01XXD	24	0.16	3.84	9000	10.80	0.41	39.3
FD2440-X11XXD	24	0.14	3.36	8000	9.50	0.32	35.8
FD2440-X21XXD	24	0.12	2.88	7000	8.35	0.25	33.1
FD2440-X31XXD	24	0.08	1.92	6000	7.09	0.18	29.7

*All readings are typical value at rated voltage.

*Please refer to **PART NUMBER SYSTEM** for bearing type and part number "XX" designation.

*Please specify revision number when ordering.