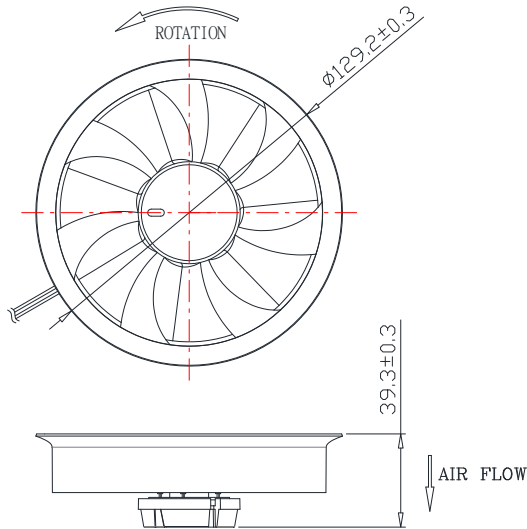
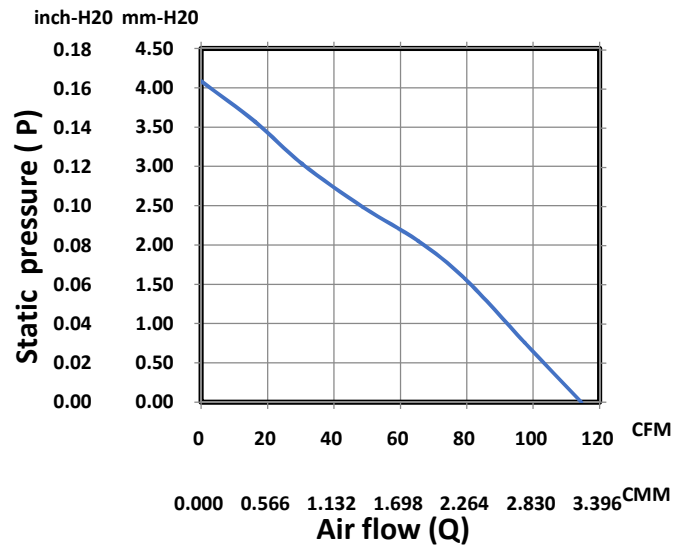


130 x 130 x 40 mm Series
Rev. I
Dimensions

Performance Curve


General Specification		Bearing Type	Function Options
Frame	PBT 94V-0	● CeraDyna A	● Auto Restart
Impeller	PBT 94V-0	○ CeraDyna C	○ Frequency Generator
Lead Wire	UL1007 24AWG	○ Ball Bearing	○ Rotation Detect
Storage Temperature	-20°C ~ 80°C	● Sleeve Bearing	○ Temperature Control
Operating Temperature	-10°C ~ 75°C	○ Fluid Dynamic Bearing	○ PWM Control
Mass	95 gram		

*Air exhaust over struts. Rotational direction CCW looking at rotor

*The motor is with electronic protection against reverse polarity. The motor only operates when the polarity is correct.

Specifications

Model No.	Rated Voltage (V)	Rated Current (A)	Input Power (W)	Nominal Speed (RPM)	Airflow (CFM)	Static Pressure (Inch-H2O)	SPL (dB A)
FC1213-A204XG	12.0	0.28	3.36	2300	113.39	0.16	33.8
FC1213-S204XG	12.0	0.28	3.36	2300	113.39	0.16	33.8

*All readings are typical value at rated voltage.

*Please refer to **PART NUMBER SYSTEM** for bearing type and part number "XX" designation.

*Please specify revision number when ordering.