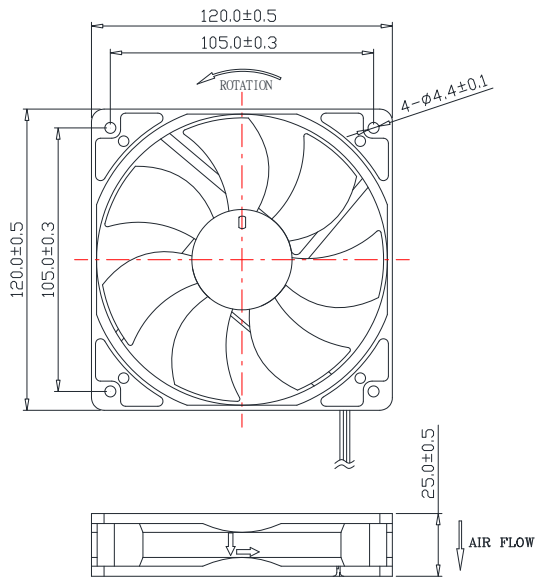
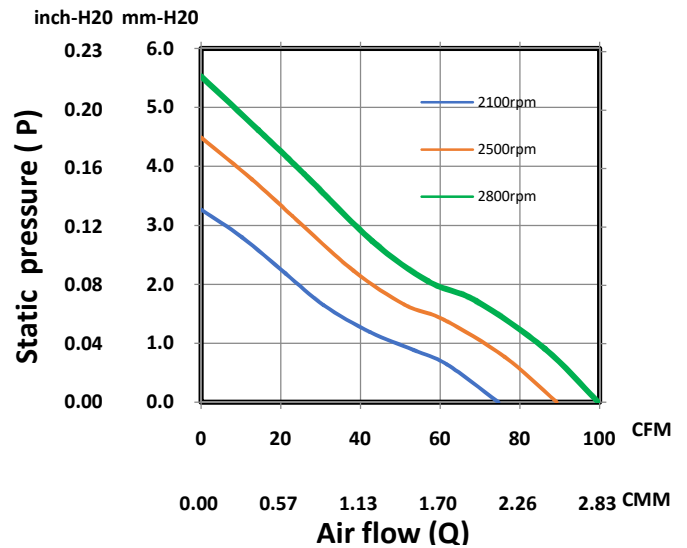


120 x 120 x 25 mm Series
Rev. II
Dimensions

Performance Curve

General Specification

Frame	PBT 94V-0
Impeller	PBT 94V-0
Lead Wire	UL1007 24AWG
Storage Temperature	-20°C ~ 80°C
Operating Temperature	-10°C ~ 75°C
Mass	140 gram

Bearing Type

<input checked="" type="radio"/> CeraDyna A	<input checked="" type="radio"/> Auto Restart
<input type="radio"/> CeraDyna C	<input checked="" type="radio"/> Frequency Generator
<input checked="" type="radio"/> Ball Bearing	<input type="radio"/> Rotation Detect
<input checked="" type="radio"/> Sleeve Bearing	<input type="radio"/> Temperature Control
<input type="radio"/> Fluid Dynamic Bearing	<input type="radio"/> PWM Control

Function Options

*Air exhaust over struts. Rotational direction CCW looking at rotor

*The motor is with electronic protection against reverse polarity. The motor only operates when the polarity is correct.

Specifications

Model No.	Rated Voltage (V)	Rated Current (A)	Input Power (W)	Nominal Speed (RPM)	Airflow (CFM)	Static Pressure (Inch-H2O)	SPL (dB A)
FD1212-X11XXE	12	0.54	6.48	2800	99.54	0.22	45.8
FD1212-X21XXE	12	0.34	4.08	2500	89.26	0.18	42.0
FD1212-X31XXE	12	0.31	3.72	2100	74.63	0.13	38.0
FD2412-X11XXE	24	0.32	7.68	2800	99.54	0.22	45.8
FD2412-X21XXE	24	0.27	6.48	2500	89.26	0.18	42.0
FD2412-X31XXE	24	0.15	3.6	2100	74.63	0.13	38.0

*All readings are typical value at rated voltage.

*Please refer to **PART NUMBER SYSTEM** for bearing type and part number "XX" designation.

*Please specify revision number when ordering.