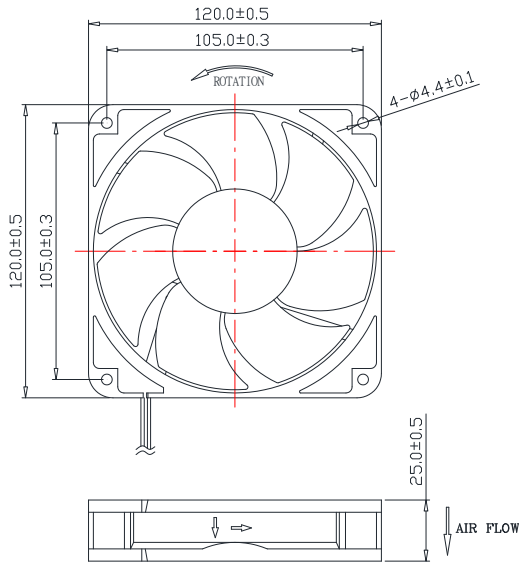
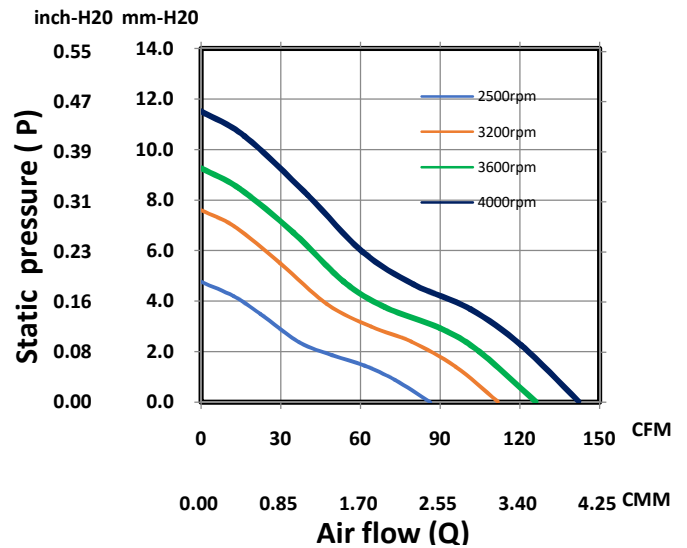


120 x 120 x 25 mm Series
Rev. III
Dimensions

Performance Curve

General Specification

Frame	PBT 94V-0
Impeller	PBT 94V-0
Lead Wire	UL1007 24AWG
Storage Temperature	-20°C ~ 80°C
Operating Temperature	-10°C ~ 75°C
Mass	185 gram

Bearing Type

- CeraDyna A
- CeraDyna C
- Ball Bearing
- Sleeve Bearing
- Fluid Dynamic Bearing

Function Options

- Auto Restart
- Frequency Generator
- Rotation Detect
- Temperature Control
- PWM Control

*Air exhaust over struts. Rotational direction CCW looking at rotor

*The motor is with electronic protection against reverse polarity. The motor only operates when the polarity is correct.

Specifications

Model No.	Rated Voltage (V)	Rated Current (A)	Input Power (W)	Nominal Speed (RPM)	Airflow (CFM)	Static Pressure (Inch-H2O)	SPL (dB A)
FD1212-X02XXE	12	0.85	10.2	4000	142.11	0.45	57.9
FD1212-X12XXE	12	0.67	8.04	3600	125.93	0.36	55.2
FD1212-X32XXE	12	0.45	5.40	3200	111.74	0.30	51.0
FD1212-X42XXE	12	0.29	3.48	2500	86.26	0.19	43.6
FD2412-X02XXE	24	0.47	11.28	4000	142.11	0.45	57.9
FD2412-X12XXE	24	0.33	7.92	3600	125.93	0.36	55.2
FD2412-X32XXE	24	0.27	6.48	3200	111.74	0.30	51.0
FD2412-X42XXE	24	0.17	4.08	2500	86.26	0.19	43.6

*All readings are typical value at rated voltage.

*Please refer to **PART NUMBER SYSTEM** for bearing type and part number "XX" designation.

*Please specify revision number when ordering.